

OFDU-TS - **SSL series** Splice and Termination Cabinet



Description:

The OFDU-TS cabinet is based on universal optical distribution frames. The unified modular system enables easy reconfiguration and can be extended according to operator needs. The OFDU-TS provides splicing and termination within one convenient housing unit. The OFDU-TS terminates up to 144 fibers in a 3U distribution frame. This unit can take up to 12 snap-in coupling panels or prewired cassettes. The slide-out and swing down shelf enables unrestricted front, rear and top access to the splicing area and termination panels. Various types of splice trays can be used.



Features:

- Premium Aluminum material – **ENAW 5005 H14**
- Luxury Stainless Steel Look (**SSL**)
- Anti-fingerprint, extra-low height, non-corrosive
- Anti-static and non-conductive material, long lifetime
- Splicing and termination in one cabinet
- Slide-out and drop down shelf
- Up to 144 - fiber termination
- Splicing in single splice trays, individual splice tray access
- Removable top and back cover enables unrestricted front, rear and top access
- Prewired CAPM cassettes include connectorized fiber pigtailed and adapters
- Lockable or latch door options are available

Technical specifications:

PART NUMBER	RACK UNITS	DIMENSIONS (H x W x D) mm	SHIP WGT (kg)
OFDU-TS2	2U	88 x 432 x 305	1.5
OFDU-TS3	3U	133 x 432 x 305	1.9

OFDU-TS2 - typical fiber capacity					
Splice Tray ¹	Max	Fibers	CNPM or CAPM ²	Max	Fibers
KNS-12S	6	72	CNPM-XX-06	6	36
			CNPM-XX-08		48
			CNPM-XX-12		72
OFDU-TS3 - typical fiber capacity					
Splice Tray ¹	Max	Fibers	CNPM or CAPM ²	Max	Fibers
KNS-12S	12	144	CNPM-XX-06	12	72
			CNPM-XX-08		96
			CNPM-XX-12		144

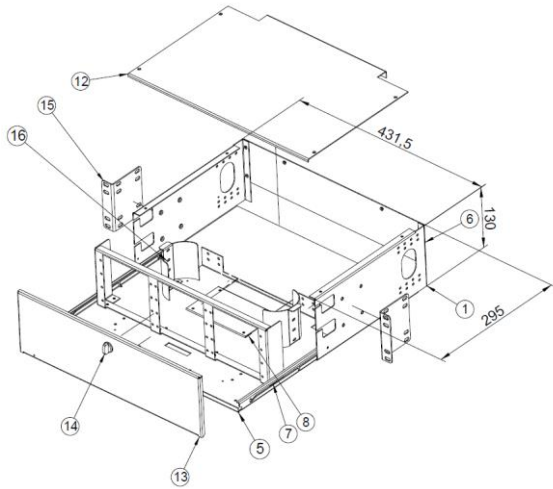
NOTE: 1) Splice trays datasheet: *CMS_01-09_EN-KNS Splice_trays*
 2) CNPM coupling panel: *CMS_24-01_EN-CNPM*
 3) CAPM prewired cassette with pigtailed and adapters:
CMS_22-01_EN-CAPM
 4) GK – Grounding kit – Protection grounding wires installed,
 see datasheet: *CMS_01-02_EN-accessories*
 5) Full list of optional accessories including Vertical unit holder
 UHV-X, see also datasheet: *CMS_01-02_EN-accessories*

HINGED Cassette montage



Bottom cassette is mounted to cassette holder by screws, next cassettes can be browsed by using hinges

Product information and specification



Parts which are available separately:

1	OFDU-BU-X	base unit
5	OFDU-SS	sliding shelf
6	OFDU-RC-X	rear cover
7	OFDU-CP-X	connector panel
8-11	OFDU-CH-X	cassette holder
12	OFDU-TC	top cover
13	OFDU-DM-X	front door metal (plexi)
14	Key lock / latch	
15	UH-X	unit holder
16	BRP	bend radius protection

X=2,3 – rack unit

Ordering Code:

OFDU-TSX - X - XXX - XX(F)¹ X - XX - SSL

Version

OFDU-TS2 2U
OFDU-TS3 3U

Front Door Option

LM Metal door - lock
ZM Metal door - latch
LP Plexi door - lock
ZP Plexi door - latch

Number of Splice Trays

1-12 Number of Splice Trays

Coupling Type

ST ST adapter
SC(F) SC adapter
FC FC adapter
E2(F) E2000 adapter
DSC(F) SC duplex adapter
DLC(F) LC duplex adapter
DMU(F) MU duplex adapter
MJ(F) MT-RJ adapter
DE2(F) E2000 duplex

Applications

M Multimode
S Singlemode
A APC
x No adapters

Fiber Capacity

006 – 144 Fibers



Key lock

Metal latch

Note: 1) "F" – fixed adaptors by screws



Premium Aluminum ENAW 5005 H14



Closed frame with plexi door and latch