

SFP+ Transceivers – 16 Gbps

Description:

The OPTOKON transceivers are compliant with SFP+ SFF-8431, IEEE 802.3ae and the SFP+ MSA. This upgrade, and reliability benefits by virtue of being hot-pluggable, also is designed for single-mode and multimode fiber with cost effective and high performance.

This hot-pluggable transceiver with SFP+ (Small Form Factor Pluggable) footprint features a Duplex LC connector provides 16 Gbps connectivity. Additionally, it provides a unique enhanced digital diagnostic monitoring interface, which allows real-time access to device operating parameters such as transceiver temperature, laser bias current, transmitted optical power, received optical power and transceiver supply voltage.



Features:

- Up to 14.025 Gbps data links
- Metal enclosure for lower EMI
- Hot-pluggable SFP+ footprint
- Integrated Digital Diagnostic monitoring
- Specifications compliant with SFF 8472
- Compliant with SFP+ MSA with LC connector
- Case operating temperature range: 0°C to 70°C
- Single 3.3.V power supply

Standards:

- Compliant to SFP+ SFF-8431
- Compliant to Fiber Channel
- RoHS Compliant

Applications:

Tri-Rate 14.025 Gbps Fiber Channel

Optical characteristics:

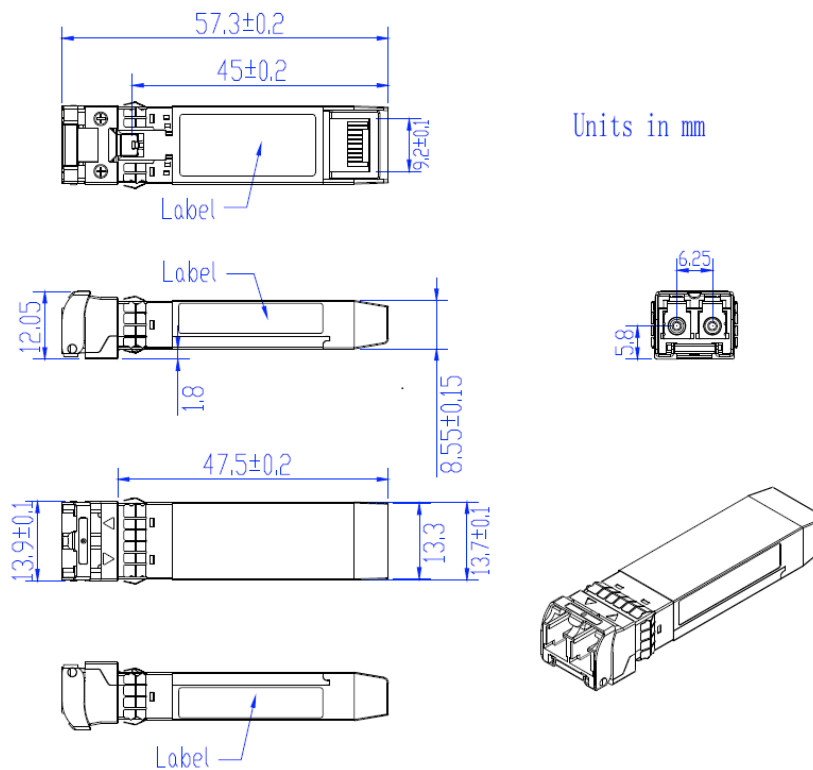
	<i>Unit</i>	<i>SR</i>
Optical Modulation Amplitude 14.025Gb/s	dBm	-4.8
Receiver OMA sensitivity	dBm	-10.5
Average Receiver Power	dBm	0
Maximum distance	km	0.100
Fiber type	-	MMF-OM3
Optical link budget	dB	5.7
Wavelength / laser type	nm	850 / VCSEL
Power dissipation	W	1



Safety and regulatory compliance:

Electrostatic discharge (ESD)	IEC/EN 61000-4-2
Electromagnetic Interference (EMI)	FCC Part 15 Class B EN 55022 Class B (CISPR 22A)
Laser Eye Safety	FDA 21CFR 1040.10, 1040.11 IEC/EN 60825-1, 2; Class 1 laser product
Component Recognition	IEC/EN 60950, UL
RoHS	2011/65/EU and (EU)2015/863
EMC	EN 61000-3

Outline Dimension:



Ordering code:

Part number	Description
M16-V85-SP-SR-D-XX	16 Gbps, SFP+, 850 nm, up to 100 m over M5E MMF (OM3) , duplex LC connector, 0°C to +70°C