

QSFP Transceivers M40-V85-QP-SR4-XX-D

Description:

The M40-V85-QP-SR4-XX-D is designed to operate over multi-mode fiber system using 4x10G channels in 850 nm. They are compliant with the QSFP+ MSA and IEEE 802.3ba 40GBASE-SR4. The optical transmitter portion of the transceiver incorporates a 4-channel VCSEL (Vertical Cavity Surface Emitting Laser) array, a 4-channel input buffer and laser driver, diagnostic monitors, control and bias blocks. For module control, the control interface incorporates a Two Wire Serial interface of clock and data signals.



Features:

- High Channel Capacity: 40 Gbps per module
- Up to 11.1Gbps Data rate per channel
- Maximum link length of 100m links on OM3
- Maximum link length of 150m links on OM4
- High Reliability 850nm VCSEL technology
- Electrically hot-pluggable
- Digital diagnostic SFF-8436 compliant
- Case operating temperature range:0 °C to 70 °C
- Power dissipation < 0.7 W

Specifications:

Safety and regulatory compliance and standards:

- Compliant to SFF-8436
- Compliant to 802.3ba
- RoHS Compliant

Distance:

Name	OM3	OM4
M40-V85-QP-SR4-02-D	100 m	150 m
M40-V85-QP-SR4-03-D	300 m	400 m

Digital Diagnostics Functions:

OPTOKON transceivers support the 2-wire serial communication protocol as defined in the QSFP+ MSA, which allows real-time access to the following operating parameters:

- Transceiver temperature
- Laser bias current

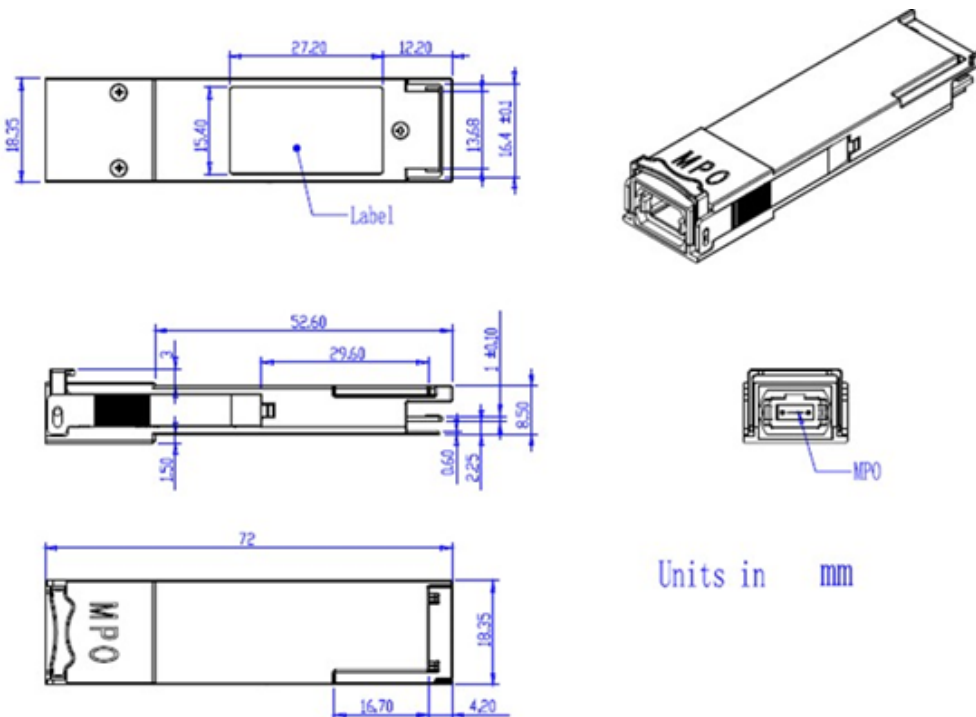


is a registered trademark of OPTOKON, a.s. Other names and trademarks mentioned herein may be the trademarks of their respective owners. OPTOKON, a.s. reserves the right to make changes, without notice, to the products described in this document, in the interest of improving design, operational function and/or reliability.

- Transmitted optical power
- Received optical power
- Transceiver supply voltage

Optical characteristic:

	Unit	Type 02	Type 03
Optical Wavelength (min - center -max)	nm	840 - 850 - 860	
Average output power per line (min / max)	dBm	-7.6 / 0.5	- 7.6 / 1
Average lurch power off per line (max)	dBm	-30	-30
Output Eye Mask		Compliant with IEEE802.3ba	
Optical Extinction ratio	dB	3	3
Receiver sensitivity per lane	dBm	-9.5	-9.9
Overload	dBm	2.4	2.4
Maximum distance	m	150	400
Fiber type	-	MMF	MMF
Data rate (Each line)	Gbps	10.3125	10.3125



Application:

- 40G Ethernet
- Infiniband QDR
- Fiber channel

Ordering code:

Name	Description
M40-V85-QP-SR4-02-D-XX	40 Gbps, MM QSFP: 4x 850 nm, distance: OM3 100 m, OM4 150 m, operational temperature 0 °C to +70 °C
M40-V85-QP-SR4-03-D-XX	40 Gbps, MM QSFP: 4x 850 nm, distance: OM3 300 m, OM4 400 m, operational temperature 0 °C to +70 °C