

MU adapters

Description:

The MU high density fiber optic interconnection system offers a new solution for high performance telecommunications networking. The MU adapter is at least half the size of the standard SC adapter. It can offer twice the port density, but all the optical performance of traditional fiber optic connectors. The MU system includes a complete range of multimode and singlemode.



Features:

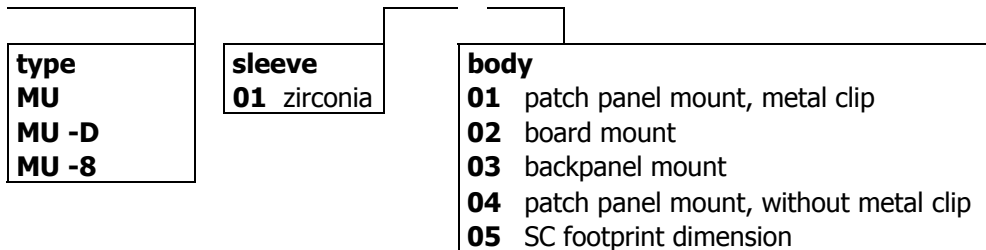
- Full ceramic zirconia sleeve
- Excellent handling at high packing densities
- Simplex, duplex and 8-position bulkhead adapters
- Self-retentive mechanism enables low the ferrule compression force off the backpanel

Application:

- Telecom
- Optical transmission and switching systems
- Backboard, printed circuit board adapters
- CATV
- Measuring Technique

Ordering code:

A - MU (-D,8) / (A)PC - XX - XX

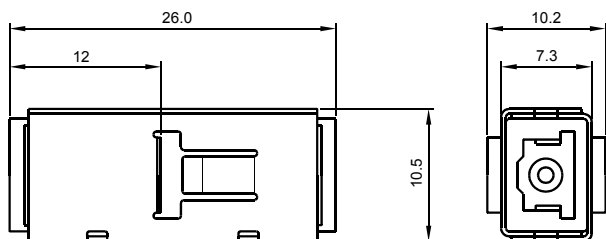


Note:

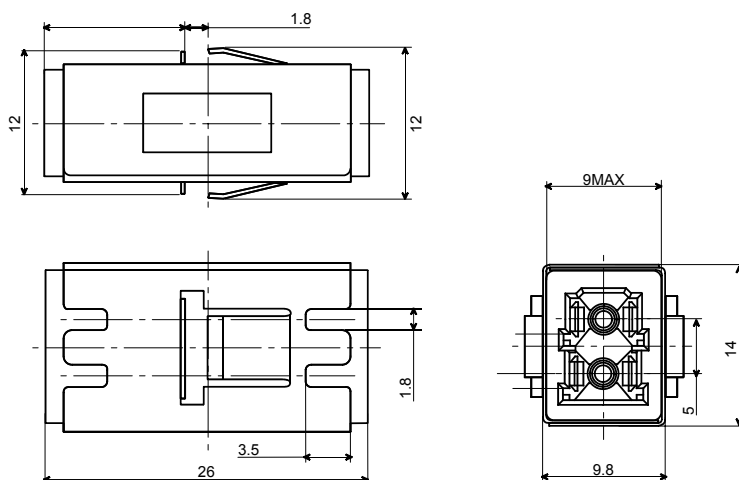
1. A – MU ... simplex adapter
2. A – MU -D ... duplex adapter
3. A – MU -8 ... 8-port adapter

Dimensions:

Simplex adapter



Duplex adapter



MU Adapter

