

User Guide

INJ-G30

Gigabit Ethernet IEEE802.3af/at PoE+ Injector

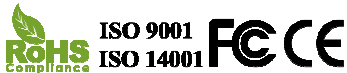


CTC Union Technologies Co., Ltd.

Far Eastern Vienna Technology Center
 (Neihu Technology Park)
 8F, No. 60, Zhouzi St., Neihu District, Taipei 114
 Taiwan

T +886-2-26591021
F +886-2-26590237
E sales@ctcu.com

To download this QIG or a more complete user manual, please visit
<http://www.ctcu.com/Industrial/>



©2014 CTC Union Technologies Co., Ltd.
 All trademarks are the property of their respective owners.
 Technical information in this document is subject to change without notice.

sales@ctcu.com

Description

INJ-G30 is a compact, self-contained, single port, PoE (Power over Ethernet) injector. PoE describes a standardized system to pass electrical power along with data on Ethernet cabling, eliminating the need for extra and often expensive electrical power wiring. A PoE injector is a power source equipment midspan device that can turn an ordinary 10/100/1000 switch port into a PoE enabled port. A PoE injector may be applied to many applications including IP security cameras, remote mini-switches, IP telephones, WiFi Access Points, intercom systems, network time based wall clocks, or industrial devices such as sensors, meters or controllers.

INJ-G30 requires absolutely no configuration whatsoever. Just connect the Ethernet UTP cables and apply external power.

Features

- 1 Port PSE/PoE Injector, 48VDC output
- Compact size
- Wall mountable
- Shielded RJ-45 connectors
- IEEE802.3af PoE (15.4 watts)
- IEEE802.3at PoE+ (30 watts)
- 10/100/1000Base-T pass through
- FCC Class B device for residential or commercial use
- Plug and Play
- Power LED indicator

Specifications

Standards	Ethernet; IEEE802.3, 802.3u, 802.3ab PoE; IEEE802.3af, 802.3at
Cables	Cat. 3,4,5e (10Base-T) Cat. 5,5e (100/1000Base-T)
Connectors	1 x RJ-45 for Ethernet data 1 x RJ-45 for Data + Power
Power Output	48VDC, 30 watts (maximum)
Power Output Pins	1&2 (+), 3&6 (-)
External Power	48VDC (AC Adapter) 0.75A
Power Consumption	2W
Certifications	FCC Class B, CE, RoHS

Physical

Dimensions	68 mm (W) x 80 mm (D) x 24 mm (H) (2 3/4in x 3 3/16in x 7/8in)
Weight	138 grams net (5 oz. US)

Environment

Operation	0°C~45°C (32°F~113°F), 10%~90% RH
Storage	-20°C~90°C (-4°F~194°F), < 90% RH

Mechanical Dimensions

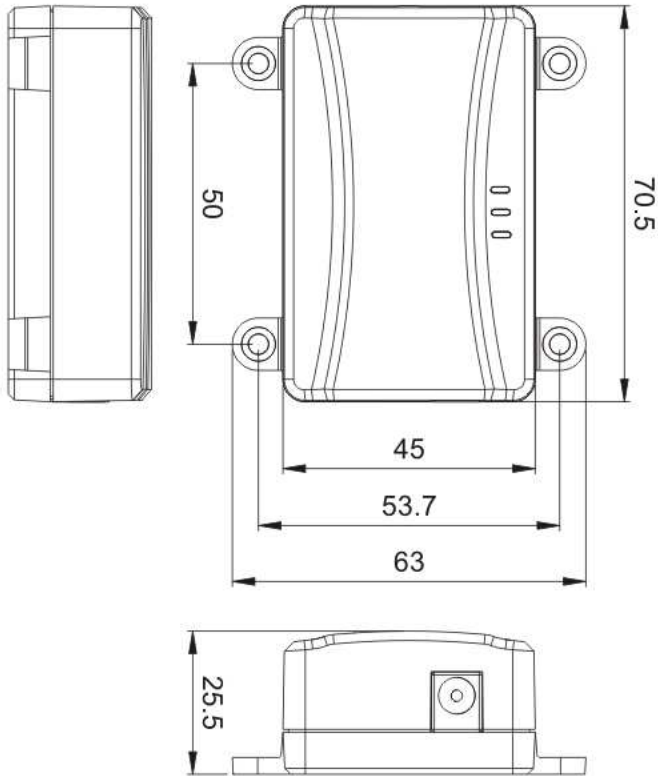


Figure 1. Dimensions

-3-

RJ-45 Ethernet Port Pinouts

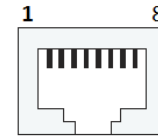


Figure 2. RJ-45 Ethernet Port Pinouts

RJ-45 Ethernet & PoE Pin Assignments

Pin No.	RJ-45 Ethernet		PoE Output
	100Base-TX	1000Base-T	
1	RX+	TRD 0+	V+
2	RX-	TRD 0-	V+
3	TX+	TRD 1+	V-
4	-	TRD 2+	
5	-	TRD 2-	
6	TX-	TRD 1-	V-
7	-	TRD 3+	
8	-	TRD 3-	

-4-

Installation

INJ-G30 has two RJ-45 connectors for Ethernet data cables. Connect a UTP cable from your non-PoE Ethernet switch to the port labeled "GbE". Connect the UTP cable from your IEEE802.3af/at compliant PD device to the port labeled "GbE+PoE". Using the AC power adapter provided, connect to the **INJ-G30** power input jack. Connect the adapter to an AC outlet. Ensure that the power LED on the **INJ-G30** is lit. Installation is complete.

Typical PoE Injector Application

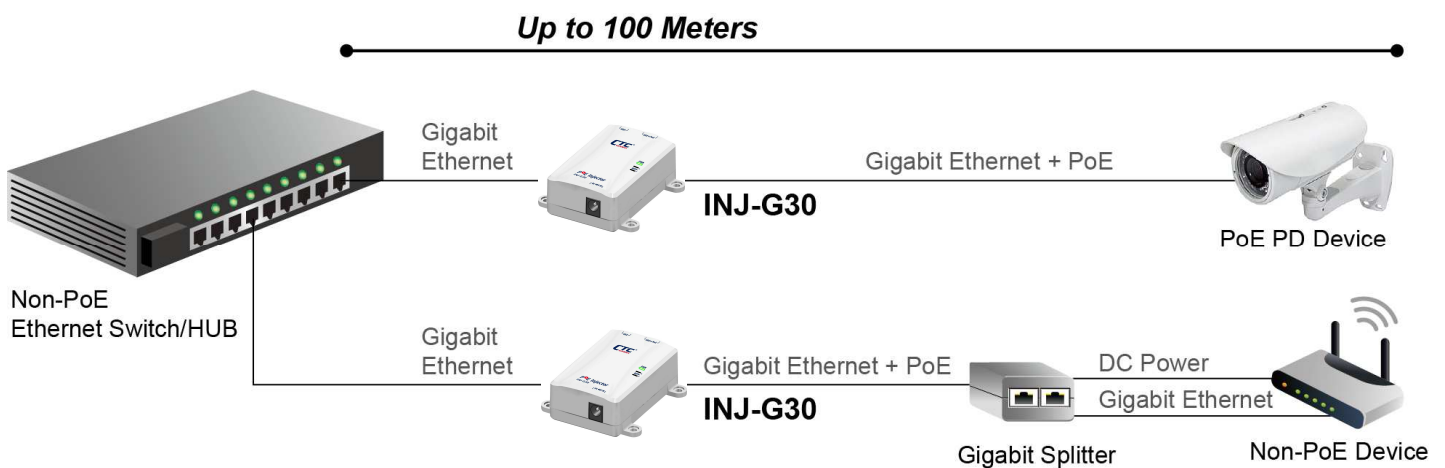


Figure 3. PoE Injector Application