

# OFDU-TS Rack Mount Splice and Termination Cabinet

## Description:

The OFDU-TS cabinet is based on universal optical distribution frames. The unified modular system enables easy reconfiguration and can be extended according to operator needs. The OFDU-TS provides splicing and termination within one convenient housing unit. The OFDU-TS terminates up to 96 fibers in a 3U distribution frame. This unit can take up to 12 snap-in coupling panels or prewired cassettes. The slide-out and swing down shelf enables unrestricted front, rear and top access to the splicing area and termination panels. Various types of splice trays can be used.



## Features:

- Splicing and termination in one cabinet
- Slide-out and drop down shelf
- Aluminum material - low weight and shipment costs
- Up to 96 - fiber termination
- Splicing in single splice trays, individual splice tray access
- Removable top and back cover enables unrestricted front, rear and top access
- For FTTH use - microtube holder included
- Prewired CAPM cassettes include connectorized fiber pigtailed and adapters
- Lockable or latch door options are available
- Durable powder coat finish - RAL 9006

## Technical specifications:

PART NUMBER	RACK UNITS	DIMENSIONS (H x W x D) mm	SHIP WGT (kg)
OFDU-TS2	2U	88 x 432 x 305	1.5
OFDU-TS3	3U	133 x 432 x 305	1.9

OFDU-TS2 - typical fiber capacity					
Splice Tray <sup>1</sup>	Max	Fibers	CNPM or CAPM <sup>2</sup>	Max	Fibers
KNS-12S	6	72	CNPM-XX-06	6	36
			CNPM-XX-08		48
OFDU-TS3 - typical fiber capacity					
KNS-12S	12	144	CNPM-XX-06	12	72
			CNPM-XX-08		96

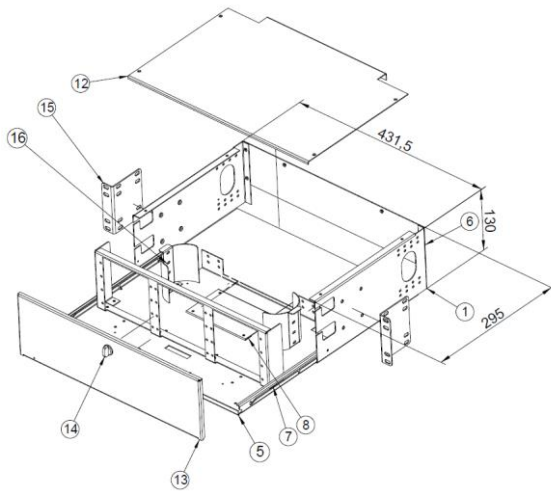
NOTE: 1) Splice trays datasheet: *CMS\_01-09\_EN-KNS\_Splice\_trays*  
 2) CNPM coupling panel: *CMS\_24-01\_EN-CNPM*  
 3) CAPM prewired cassette with pigtailed and adapters:  
*CMS\_22-01\_EN-CAPM*  
 4) GK – Grounding kit – Protection grounding wires installed,  
 see datasheet: *CMS\_01-02\_EN-accessories*  
 5) Full list of optional accessories including Vertical unit holder  
 UHV-X, see also datasheet: *CMS\_01-02\_EN-accessories*

## HINGED Cassette montage



Bottom cassette is mounted to cassette holder by screws, next cassettes can be browsed by using hinges

## Product information and specification



Parts which are available separately:

1	OFDU-BU-X	base unit
5	OFDU-SS	sliding shelf
6	OFDU-RC-X	rear cover
7	OFDU-CP-X	connector panel
8-11	OFDU-CH-X	cassette holder
12	OFDU-TC	top cover
13	OFDU-DM-X	front door metal (plexi)
14	Key lock / latch	
15	UH-X	unit holder
16	BRP	bend radius protection

X=2,3 – rack unit

### Ordering Code:

**OFDU-TSX - X - XXX - XX(F)<sup>1</sup> X - XX / (G)<sup>2</sup> - (UHV)<sup>3</sup>**

#### Version

**OFDU-TS2** 2U  
**OFDU-TS3** 3U

#### Front Door Option

**LM** Metal door - lock  
**ZM** Metal door - latch  
**LP** Plexi door - lock  
**ZP** Plexi door - latch

#### Number of Splice Trays

**1-12** Number of Splice Trays

#### Fiber Capacity

**006 – 96** Fibers

#### Coupling Type

**ST** ST adapter  
**SC(F)** SC adapter  
**FC** FC adapter  
**E2(F)** E2000 adapter  
**DSC(F)** SC duplex adapter  
**DLC(F)** LC duplex adapter  
**DMU(F)** MU duplex adapter  
**MJ(F)** MT-RJ adapter  
**DE2(F)** E2000 duplex

#### Applications

**M** Multimode  
**S** Singlemode  
**A** APC  
**x** No adapters



Key lock

Metal latch

Note: 1) "F" – fixed adaptors by screws

2) G – grounding option – protection grounding wires installed, see datasheet CMS\_01-02\_EN-accessories

3) UHV – vertical unit holder



Empty 3U patch panel for 12 CNPM panels or CAPM cassettes



Closed frame with plexi door and latch