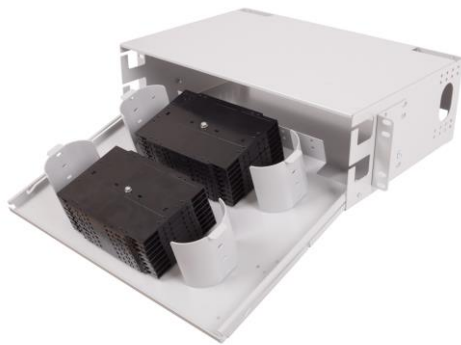


OFDU-S

Rack Mount Splice Cabinet

Description:

The **OFDU-S** cabinet is based on universal optical distribution frames. The unified modular system enables easy reconfiguration and can be extended according to operator requirements. The **OFDU-S** provides splicing, storage and protection of up to 288 (576) fiber splices in individually accessible trays. The slide-out and swing down shelf enables unrestricted front, rear and top access to the splicing area. Various types of splice trays can be used.



Features:

- Splicing of up to 288 (576) fibers in one cabinet
- Slide-out and drop down shelf
- Aluminum material - low weight and shipment costs
- Bend radius protection enables management and rearrangement of cable slack
- Accepts standard splice trays
- Removable top provides unrestricted access to splice tray and fiber connections
- Cable strain-relief hardware provided
- Durable powder coat finish – RAL 9006

Technical specifications:

PART NUMBER	FIBER CAPACITY		RACK UNITS	DIMENSIONS (HxWxD) mm	SHIP WGT (kg)
	EQUIPMENT	CAPACITY			
OFDU-S2-V1	6 splice cassettes	72 (144*)	2U	88 x 432 x 305	1.4
OFDU-S2-V2	2 x 6 splice cassettes	144 (288*)			
OFDU-S3-V1	12 splice cassettes	144 (288*)	3U	133 x 432 x 305	1.9
OFDU-S3-V2	2 x 12 splice cassettes	288 (576*)			

Note:

V1 – variant: contains one cassette holder and one pair of BRP reels

V2 – variant: contains two cassette holders and two pairs of BRP reels

* – In each splicing cassette will be 24 splices as opposed to standard 12 (if we use slimmer splice protections P-B-40 so we can place two splices to one groove in the splice holder KNS-SH-D)

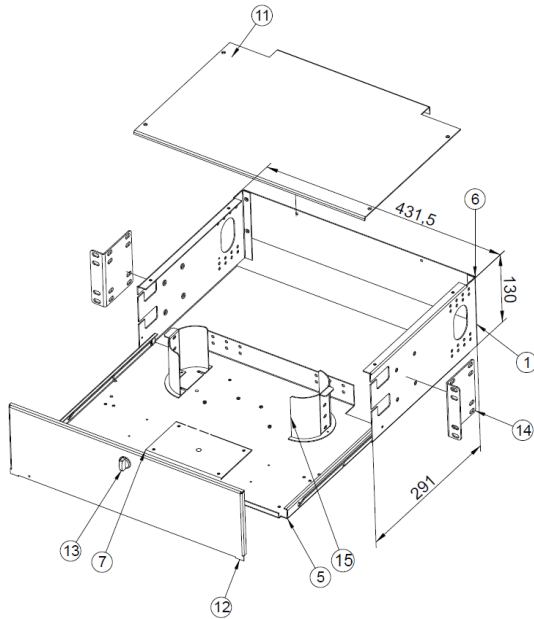
Cassette montage:

HINGED

Bottom cassette is mounted to cassette holder by screws, next cassettes can be browsed by using hinges.



Product information and specification



1	OFDU-BU-X	base unit
5	OFDU-SS	sliding shelf
6	OFDU-RC-X	rear cover
7-10	OFDU-CH-X	cassette holder
11	OFDU-TC	top cover
12	OFDU-DM-X	front door metal (plexi)
13	Key lock / latch	
14	UH-X	unit holder
15	BRP reel	bending radius protection

Ordering Code:

OFDU-SX¹	-	VX	-	XX	-	XX
Version, rack units OFDU-S2 2U, OFDU-S3 3U			Front door option LM Metal door – lock ZM Metal door – latch LP Plexi door – lock ZP Plexi door – latch			
Variant, number of holders V1 – 1x cassette holder, 1x BRP V2 – 2x cassette holder, 2x BRP			Number of splice cassettes^{2,3} 01-24 Number of cassettes			



Key lock

Latch

- Note:
- 1) OFDU-S2: max. 12 splice cassettes: one holder for 6 or two holders for 12 splice cassettes
OFDU-S3: max. 24 splice cassettes: one holder for 12 or two holders for 24 splice cassettes
 - 2) Cassette type KNS-12M (necessary in V2 variant) (datasheet CMS_01-09_KNS_Splice_trays)
 - 3) Maximal capacity – 24x cassette are available only with latch



Plexi door with latch



Frame closed with metal door and key lock