

IEXT101-PH

Long Reach Ethernet & PoE Extender

NEW



IEXT101-PH-L

IEXT101-PH-R

- Transmission and remote power feeding up to 800 meters
- PoE power budget up to 30W
- Railway EN50121-4, Heavy Industrial EN61000-6-2, EN61000-6-4, CE, and FCC certified
- 4KV surge protection for PoE, UTP
- Wide operating temperature range, -40~75°C, for use in harsh environments



Ver.2022 Apr

CTC's Industrial Grade Ethernet & PoE Extender can extend data and IEEE802.3at PoE+ beyond the standard 100 meters limitation of standard Ethernet. The paired units work in a point-to-point topology over 2 or 4 pair unshielded twisted pair (UTP) cabling up to 800 meters.

The local unit is provided with 55-57VDC and feeds both power and data to the remote unit. The remote unit is then able to provide 10/100Base-TX Ethernet and up to 30 watts via 802.3af/at standard or may be provisioned for 'passive PoE' i.e., always on, for non-standard PoE applications. These devices are ideal when there is no power available at the remote side or where providing power at the remote is difficult or expensive. These products are particularly designed for harsh environments, such as industrial networking, traffic surveillance, security automation applications, IP surveillance, city security, intelligent transportation systems (ITS) and are also suitable for many military or utility market applications where environmental conditions exceed commercial product specifications.

Features

- Long distance data transmission and remote power feeding up to 800 meter on 2/4 pair UTP cable (see figure 1)
- Supports standard IEEE802.3af/at or passive PoE devices
- Eliminates the need for any power supply at the remote side
- Quick deployment and easy maintenance

Specifications

Hardware Standard Interfaces	IEEE 802.3	10Base-T	Data rate	The line speed between IEXT101-PH-L and IEXT101-PH-R will be 10M or 100M that depend on extension length or set by DIP SW.	
	IEEE 802.3u	100Base-TX		The Lan speed of IEXT101-PH-R is same with line speed (extension port). (Please ref figure 1)	
	IEEE 802.3af	PoE		Cable	2 or 4 pair UTP cable Cat.5e, Cat. 6 (See Table 1 for Transmitting rate and PoE power budget by difference length) (Please ref figure 1)
	IEEE 802.3at	PoE+			Operating Temperature
Network Connector	IEXT101-PH-L (Local unit)		Storage Temperature	-40°C to 85°C	
	2 pin Terminal Block for power input connector 1 RJ45 for LAN 10/100Base-TX Ethernet port 1 RJ-45 for extension distance and delivery power and communication data to remote unit		Humidity	10% - 95% (non-condensing)	
	IEXT101-PH-R (Remote unit)		Power Supply	55~57VDC Input power (2pin Removable Terminal Block)	
	1 RJ45 for LAN 10/100Base-TX Ethernet and PoE PD, 1 RJ-45 for long distance receiving power and communication data from local unit		Power Consumption	TBD	
Dip Switch	IEXT101-PH-L (Local unit)		Housing	Rugged Metal, IP30 Protection and fanless	
	SW 1: Power over line	Off: Enable On: Disable	Dimensions	102.5 x 52 x 25 mm (D x W x H)	
	SW 2 : Link Fault Pass Through (LFPT)	Off: Disable On: Enable	Weight	TBD	
	SW 3 : Line Speed	Off: Auto On: 10M	Installation Mounting	Wall Mounting	
	IEXT101-PH-R (Remote unit)		MTBF	TBD	
	SW 1: PoE for PD	Off: Enable On: Disable	Certification		
	SW 2 : Link Fault Pass Through (LFPT)	Off: Disable On: Enable	EMC	CE (EN55032, EN55035)	
	SW 3 : PoE PD mode	Off: Standard PoE On: Passive PoE	EMI (Electromagnetic Interference)	FCC Part 15 Subpart B Class A,CE	
LED	IEXT101-PH-L (Local unit)		Railway Traffic	EN50121-4	
	Power (Green) Delivery Power Range <15W (Amber), >15W (Green) LFPT (Amber) LAN Link active (Green) Line Speed/Link active 10M(Amber), 100M(Green)		Immunity for HeavyIndustrial Environment	EN61000-6-2	
	IEXT101-PH-R (Remote unit)		Emission for HeavyIndustrial Environment	EN61000-6-4	
	Power (Green) PoE Power Range for PD <15W (Amber), >15W (Green) LFPT (Amber) LAN Link active (Green) Line Speed/Link active 10M(Amber), 100M(Green)		EMS (Electromagnetic Susceptibility) Protection Level	EN61000-4-2 (ESD) Level 3, Criteria B EN61000-4-3 (RS) Level 3, Criteria A EN61000-4-4 (Burst) Level 3, Criteria A EN61000-4-5 (Surge) Level 3, Criteria B EN61000-4-6 (CS) Level 3, Criteria A EN61000-4-8 (PFMF, Magnetic Field) Field Strength: 300A/m, Criteria A	

10

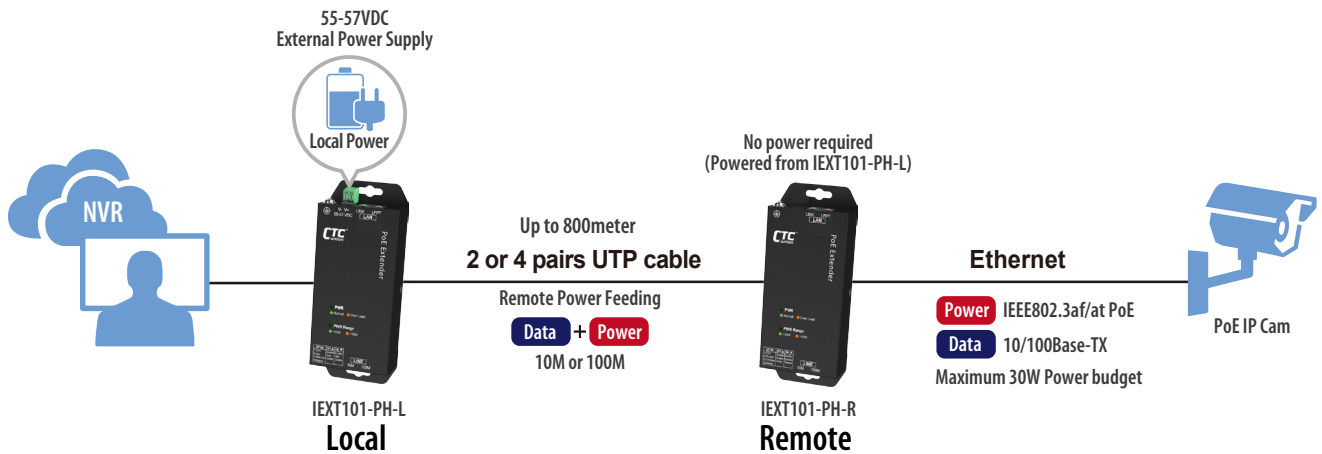
Industrial Ethernet & PoE Extender IEXT101-PH

Safety	EN62368-1 (Pending)
4KV surge protection	Supported for PoE, UTP
Shock	IEC 60068-2-27
Freefall	IEC 60068-2-31
Vibration	IEC 60068-2-6

Transmitting rate and PoE Power budget	
Table 1	TBD
Upto 800meter	
Power Budget	TBD

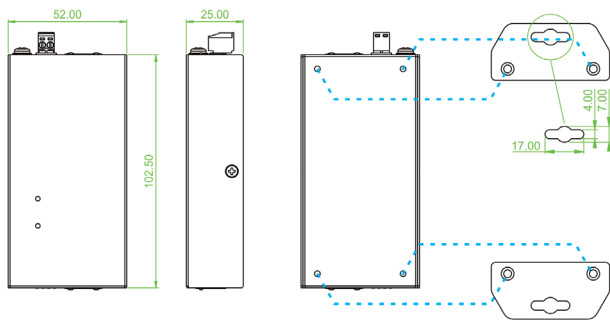
Application

► Remote Power Feeding (Figure1)

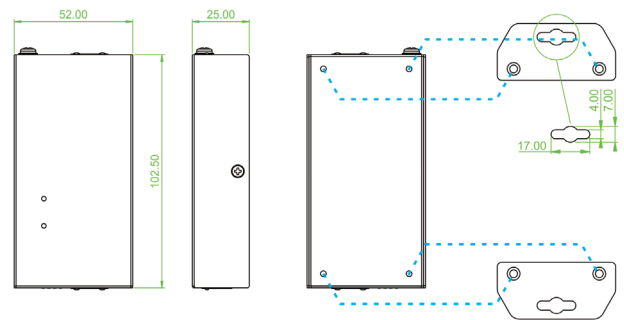


Dimensions

IEXT101-PH-L



IEXT101-PH-R



Front View Side View Rear View Wall-Mount Kit View Front View Side View Rear View Wall-Mount Kit View

Ordering Information

Model Name	Ethernet port (Local unit)	Line Port (Extension port)	Ethernet port With PoE (Remote unit)		Power input	Certification		
	10/100 Base-TX	10/100M (Upto800meter)	10/100Base-TX	Power Budget for PD		EN50121-4	EN61000-6-2 EN61000-6-4	CE/ FCC
IEXT101-PH-L	1	1			55~57VDC	V	V	V
IEXT101-PH-R		1	1	5W~30W	Powered from IEXT101-PH-L	V	V	V

Package List

IEXT101-PH-L

- 1 local unit IEXT101-PH-L device
- 2 pin terminal block
- 2 pcs wall mount bracket and screw

IEXT101-PH-R

- 1 remote unit IEXT101-PH-R device
- 2 pcs wall mount bracket and screw

Note: A complete link requires an IEXT101-PH-L (local) unit and an IEXT101-PH-R (remote) unit.

Optional Accessories

Industrial Power Supply

NDR-120-48 Industrial Power, Input: 90 ~ 264VAC / 127 ~ 370VDC, Output: 48VDC, 120W, -20 ~ +70°C

Note: Please adjust the NDR-120-48 output voltage to 55VDC for better performance.